

Test Report

for 1.0~18.0GHz Broadband Horn Antenna



Model: HXATBDH10180

Chengdu HAIKIN MICROWAVE Technology Co., Ltd

Add: Chengdu 610091, China

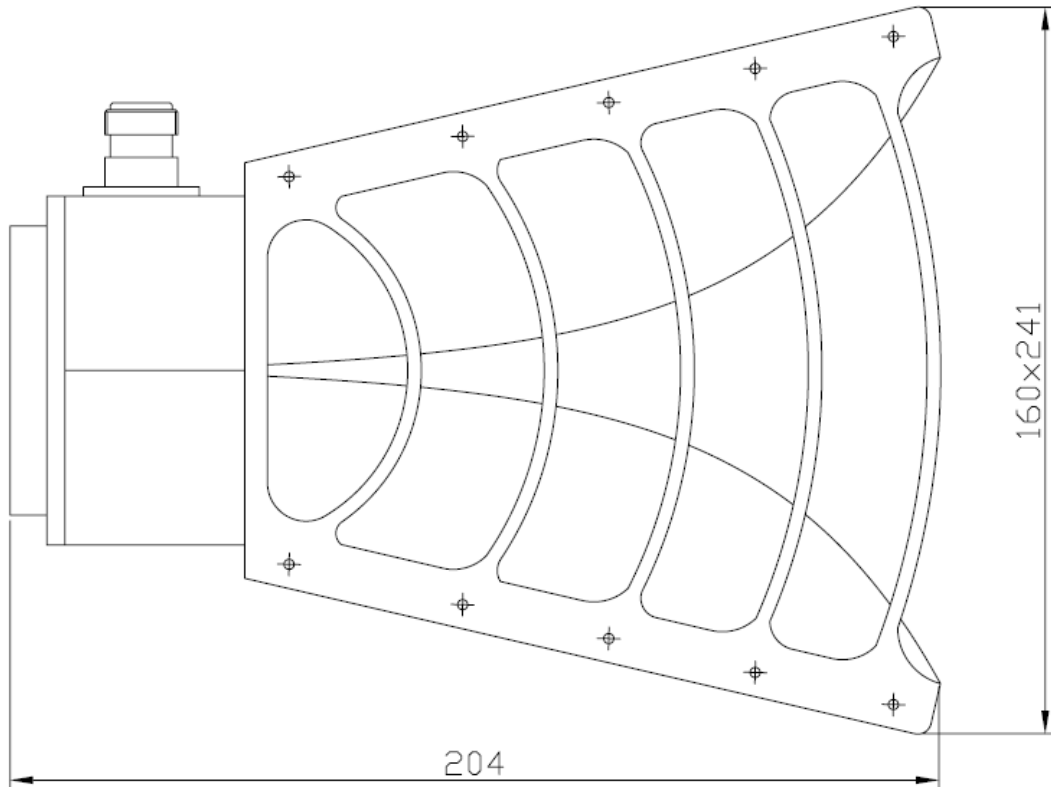
Tel: +86-28-87089208

Website: www.hxmicrowave.com

Fax: +86-28-87089208

Email: sale@hxmicrowave.com

Outline Drawing (Size: mm)



Technical Specification

Frequency Rang	VSWR	Gain	Connector	Size
1.0~18.0GHz	2:1	12dBi	N-Female	241mm×160mm×204mm

Test Instruments

Agilent 83630B
 HP8563E
 HP8720D

Test Results



1. Gain

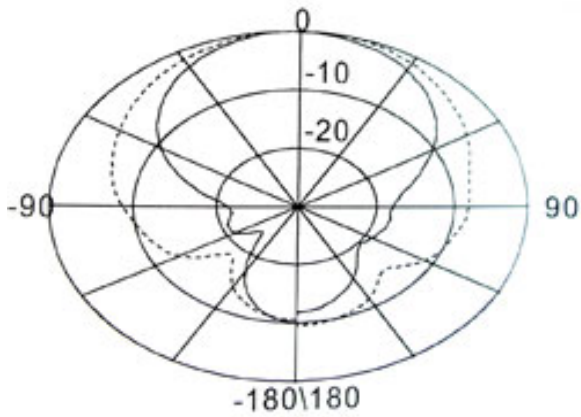
Frequency (GHz)	1.0	4.0	8.0	14.0	18
Gain (dBi)	6	11	12	13	12

2. Pattern

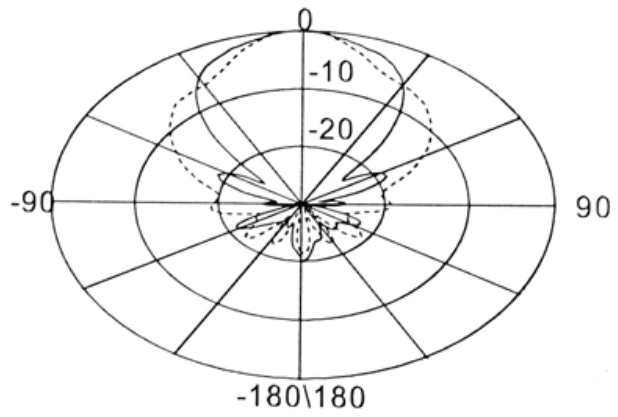
E Plane- - - - -

H Plane- - - - -

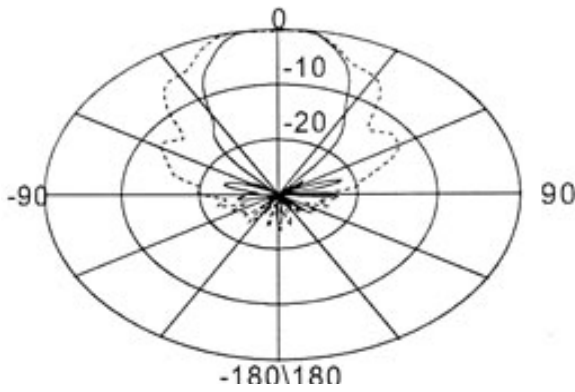
1000MHz(90° /63°)



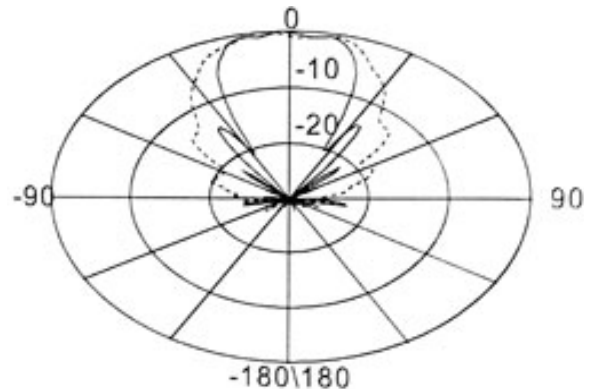
4000MHz(32° /46°)



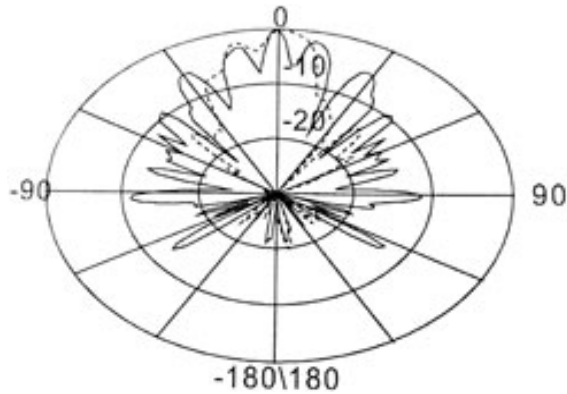
8000MHz(40° /33°)



12000MHz(44° /35°)



15000MHz(15° /6°)



18000MHz(30° /17°)

